

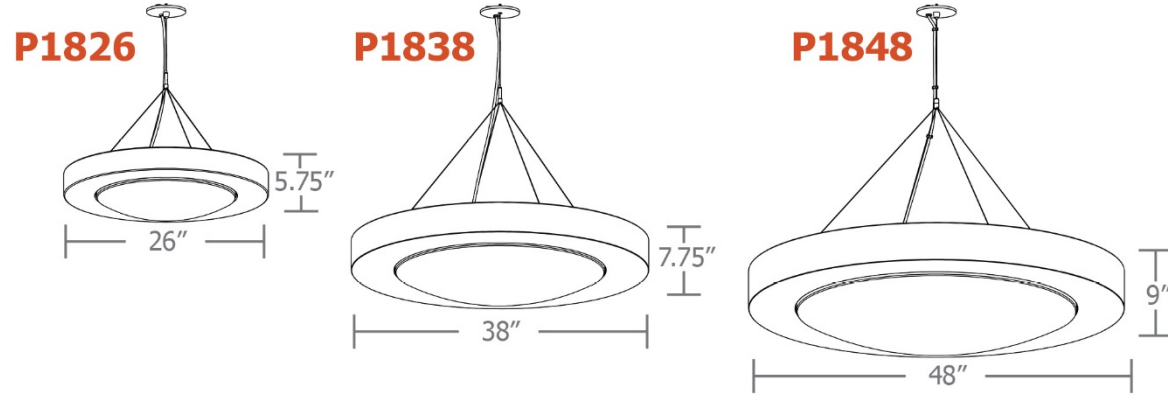


mod™ 5-slider

your lighting rep has
recommended the **mod™**
pendant for your project
Let's take a quick look:



sizes and lumens



- P1826 (26") / 1690 – 6701 lm
- P1838 (38") / 3385 – 13165 lm
- P1848 (48") / 5075 – 19750 lm



construction

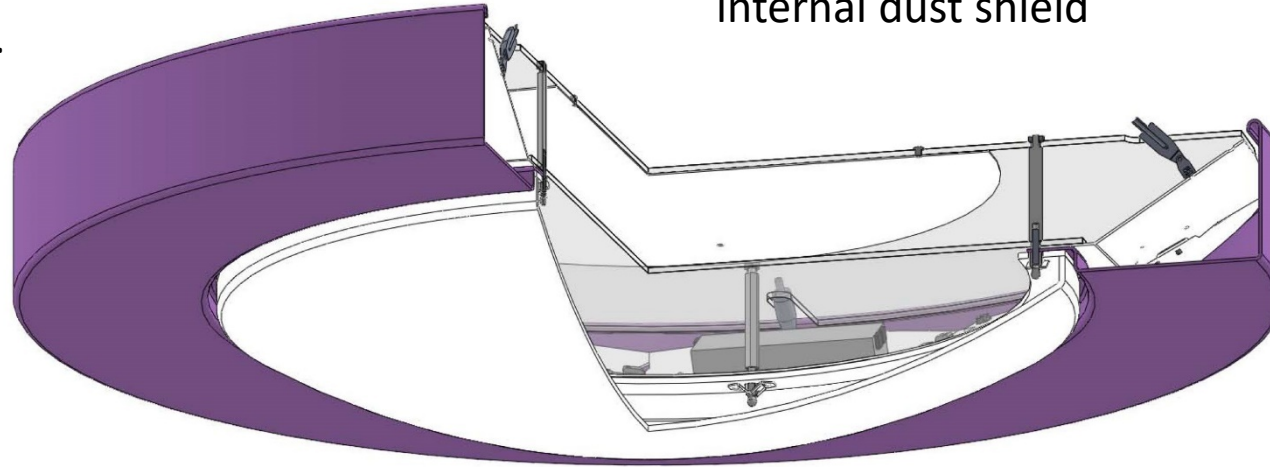
5" dia. spun steel mounting canopy with sloped ceiling adapter, single stainless-steel cable connects to collector branching off into four field adjustable mounting cables for exact AFF mounting height

high lumen indirect light distribution

integral programmable drivers, constant current, field maintainable, universal input (120-277v), 0-10v controllable to 1% dimming.

segmented aluminum reflector w/ powder coat painted high reflectance matte white finish

internal dust shield



precision CNC spun .063" aluminum housing w/rolled top edge for added strength

21 standard powder coat paint finishes + custom RAL colors

aluminum center disc reflector to gently illuminate the .125" virgin matte white acrylic bottom dome

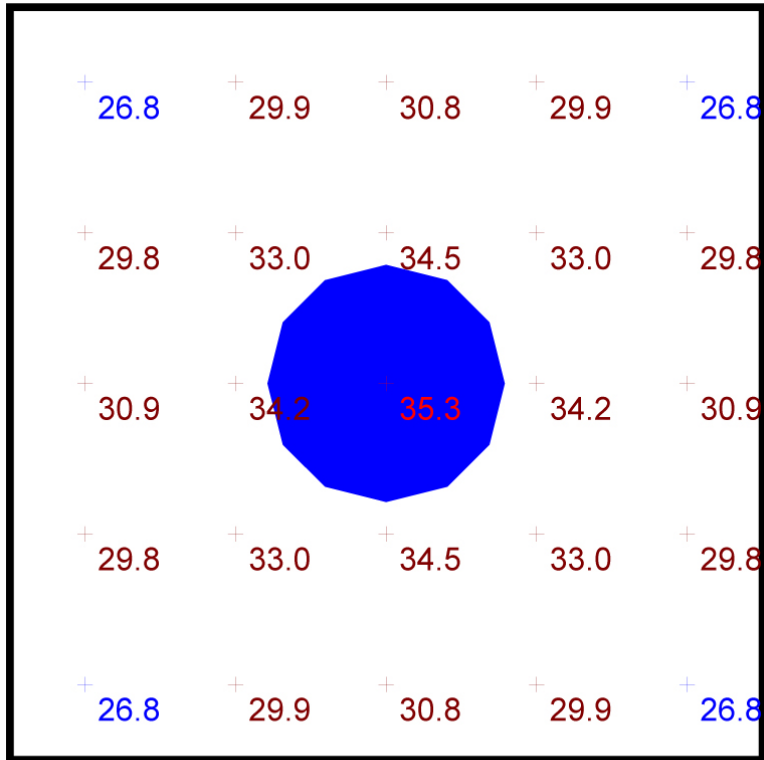
metal core LED boards mechanically held in place for easy maintenance

no visible mounting hardware

performance

Statistics

Description	Symbol	Avg	Max	Min	Max/Min	Avg/Min
mod	+	31.0 fc	35.3 fc	26.8 fc	1.3:1	1.2:1



Plan View
Scale - 1" = 2ft

- 10' x 10' x 10'H space
- 80/50/20 reflectances
- bottom of fixture at 8' aff
- FC readings at 2.5' aff
- layout conducted using P1838 HI output (13165 delivered lumens)





www.impactltg.com

- spec sheet and color chart
- photometric files and BIM models
- built to order in Saint Louis, MO, USA
- 4-week lead time

mod™ 5-slider

